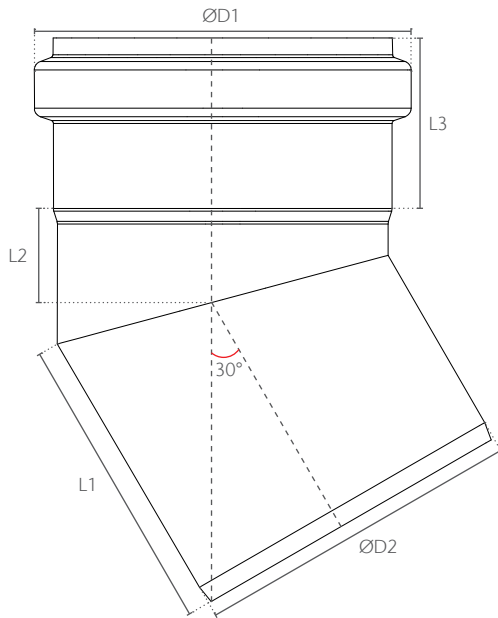


# 30 Degree Pipe Spec Sheet



Parts	Part No.	Length (L1) in (mm)	Length (L2) in (mm)	Length (L3) in (mm)	ØD1 in (mm)	ØD2 in (mm)	Material	Gasket Material	Weight lbs
D40 (1.57")	<b>417354</b>	2.17 (55)	0.55 (14)	1.56 (40)	2.03 (52)	1.57 (40)	AISI 316L	EPDM	0.2
D50 (1.97")	<b>98766</b>	2.24 (57)	0.63 (16)	1.68 (43)	2.43 (62)	1.97 (50)	AISI 316L	EPDM	0.4
D75 (2.95")	<b>98768</b>	2.80 (71)	0.83 (21)	2.04 (52)	3.43 (87)	2.95 (75)	AISI 316L	EPDM	0.7
D110 (4.33")	<b>98770</b>	3.35 (85)	1.06 (27)	2.23 (57)	4.93 (125)	4.33 (110)	AISI 316L	EPDM	1.1
D125 (4.92")	<b>419742</b>	3.86 (98)	1.10 (28)	2.47 (63)	5.57 (142)	4.92 (125)	AISI 316L	EPDM	1.3
D160 (6.30")	<b>98772</b>	4.33 (110)	1.57 (40)	2.74 (70)	7.00 (178)	6.30 (160)	AISI 316L	EPDM	2.6
D200 (7.87")	<b>419405</b>	5.39 (137)	1.77 (45)	3.14 (80)	8.62 (219)	7.87 (200)	AISI 316L	EPDM	4.7
D250 (9.84")	<b>417096</b>	6.02 (153)	2.28 (58)	3.53 (90)	10.57 (269)	9.84 (250)	AISI 316L	EPDM	6.7
D315 (12.40")	<b>417206</b>	6.77 (172)	2.68 (68)	3.92 (100)	13.16 (334)	12.40 (315)	AISI 316L	EPDM	12.8

## Specification Summary

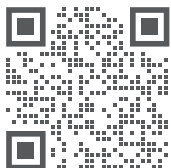
Used with ACO Pipe or outlet spigots. Made from AISI 316L. Resistant to thermal and dynamic shocks. Rodent-proof and sag-proof. Non-combustible. Double-lipped seal push-fit connection. Designed for gravity piping system with maximum working pressure of 0.5 bar. Socket Clamps, FPM or NBR gasket material also available upon request. Socket clamp can increase maximum operating pressure. Manufactured to EN 1124-1 and 1124-2.

ACO recommends checking local plumbing codes prior to installation.

## ACO, Inc.

© January 2026 ACO, Inc.

All reasonable care has been taken in compiling the information in this document. All recommendations and suggestions on the use of ACO products are made without guarantee since the conditions of use are beyond the control of the company. It is the customer's responsibility to ensure that each product is fit for its intended purpose and that the actual conditions of use are suitable. ACO, Inc. reserves the right to change products and specifications without notice.



info@acousa.com  
www.acousa.com

